



BRADFORD WHITE[®]

C O R P O R A T I O N

RESIDENTIAL GAS REPLACEMENT PARTS LIST

DEFENDER

SAFETY SYSTEM[®]

**Through-The-Wall TTW1
Energy Saver (M1) Models**

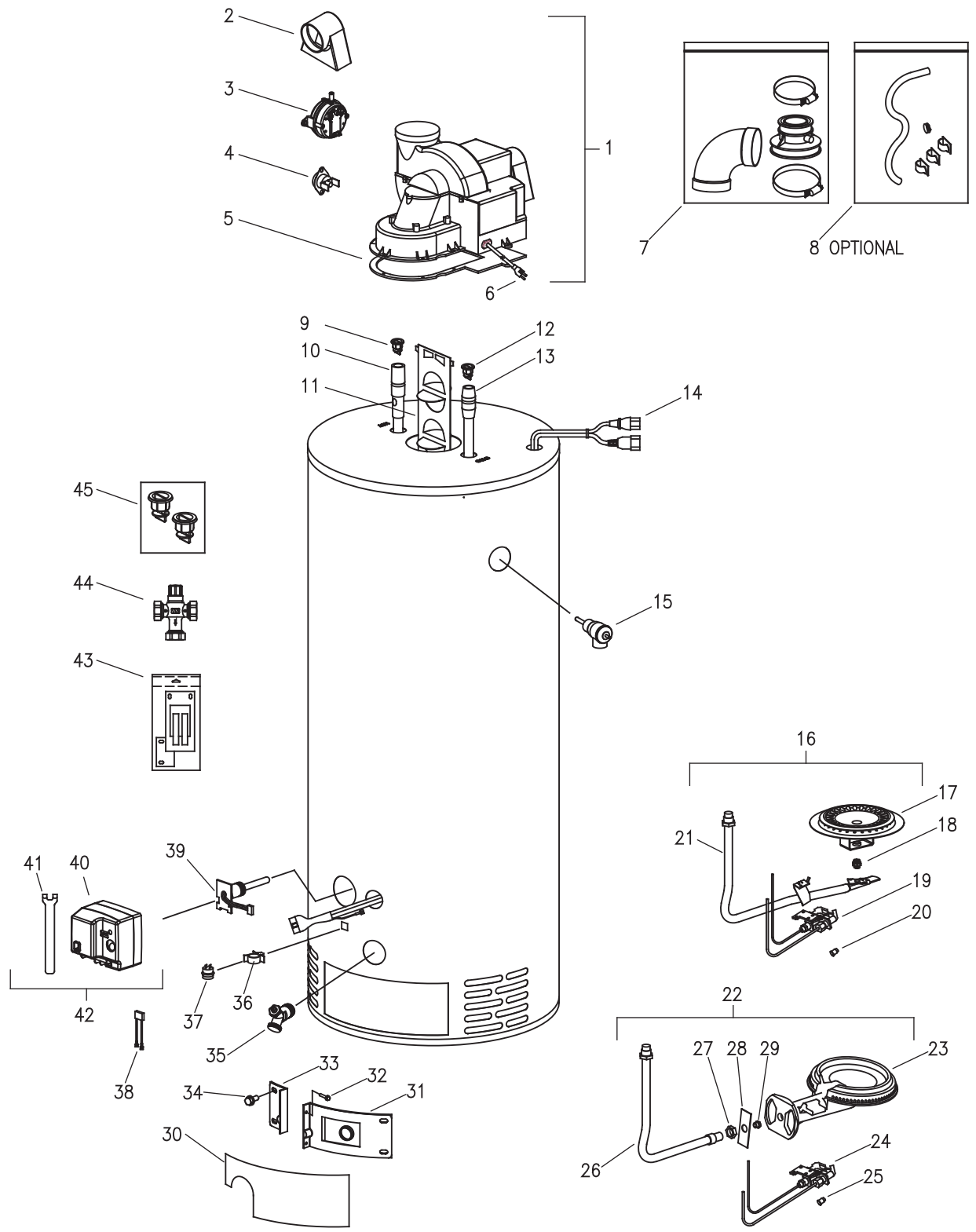


**Includes Hydrojet[®] Total
Performance System**

*Effective: October, 2006
ECO 7155*

**NOTE: BOTH MODEL AND SERIAL
NUMBERS ARE REQUIRED FOR
ORDERING REPLACEMENT
PARTS**

Dimensions and specification subject to
change without notice.



Reference Number & Description

1	Blower Complete
2	Air Mixing Inlet
3	Pressure Switch
4	Blower Temperature Switch
5	Blower Gasket
6	Blower Power Cord
7	2" Exhaust Adaptor with Vent Terminal
8	Condensate Hose Kit
9	Heat Trap Outlet
10	Hot Water Outlet Anode
11	Flue Baffle
12	Heat Trap Inlet
13	Cold Water Inlet Dip Tube
14	Safety Circuit Wire Harness
15	T&P Valve
16	Natural Gas Burner Assembly Complete
17	Burner Head
18	Main Burner Orifice
19	Natural Gas Pilot Assembly with Electrode
20	Pilot Orifice
21	Natural Gas Feed Line
22	L.P. Gas Cast Iron Burner Assembly Complete
23	Cast Iron Burner
24	L.P. Gas Pilot Assembly with Electrode
25	L.P. Pilot Orifice
26	L.P. Gas Feedline
27	Jam Nut
28	Air Shutter
29	L.P. Gas Main Burner Orifice
30	Outer Door
31	Right Side Inner Door
32	Screw #8-15 x 3/4
33	Left Side Inner Door
34	Screw #10-12 x 3/4
35	Brass Drain Valve
36	Flammable Vapor Sensor Clip
37	Flammable Vapor Sensor
38	Sensor Harness
39	Thermal Well
40	Gas Control
41	Gas Control Service Tool
42	Kit-Gas Control Valve
43	Inner Door Gasket Kit
44	ASSE Approved Mixing Valve
45	Heat Trap Insert Kit

Parts Common To M1TW(40,50)S*FBN Models

Reference Number and Description	Part Number
1 Blower Complete	239-45584-00
2 Air Mixing Inlet	239-45868-00
3 Pressure Switch	239-45867-01
4 Blower Temperature Switch	239-45865-00
5 Blower Gasket	239-45866-00
6 Blower Power Cord	239-45990-00
7 2" Exhaust Adaptor w/Vent Terminal	239-46263-00
9 Heat Trap Outlet	239-45167-00
10 Hot Water Outlet Anode	224-32731-89
11 Flue Baffle	243-45372-00
12 Heat Trap Inlet	239-45073-00
13 Cold Water Inlet Dip Tube (Polypropylene)	229-39625-20
14 Safety Circuit Wire Harness	239-45617-01
15 T&P Valve	230-32920-01
30 Outer Door	243-43962-00
32 Screw #8-15 x 3/4	239-44195-00
34 Screw #10-12 x 3/4	239-44113-00
35 Brass Drain Valve	227-42351-01
36 Sensor Clip	239-45648-00
37 Flammable Vapor Sensor	239-45560-00
38 Sensor Harness	239-45620-00
39 Thermal Well	239-45651-01
40 Gas Control	222-45613-01
41 Gas Control Service Tool	239-45991-00
42 Kit-Gas Control w/Service Tool	265-45613-01

Parts Unique to M1TW40S*FBN

Reference Number and Description	Part Number
16 Natural Gas Burner Assembly Complete	243-45652-01-32
17 Burner Head	228-42506-00
18 Main Burner Orifice	234-41034-32
19 Natural Gas Pilot Assembly with Electrode	233-45653-01
20 Pilot Orifice	234-45869-01
21 Natural Gas Feed Line	233-45615-01
31 Right Side Inner Door	239-45642-18
33 Left Side Inner Door	239-43968-18

Parts Unique to M1TW50S*FBN

Reference Number and Description	Part Number
16 Natural Gas Burner Assembly Complete	243-45652-02-32
17 Burner Head	228-42506-00
18 Main Burner Orifice	234-41034-32
19 Natural Gas Pilot Assembly with Electrode	233-45653-01
20 Pilot Orifice	234-45869-01
21 Natural Gas Feed Line	233-45615-02
31 Right Side Inner Door	239-45642-20
33 Left Side Inner Door	239-43968-20

Optional Parts Reference Number and Description

1 High Altitude Blower Complete	243-45987-00
3 High Altitude Pressure Switch	239-45867-03
8 Condensate Hose Kit	239-45875-00
10 Hot Water Outlet Anode (Aluminum)	224-32999-22
10 Hot Water Outlet Anode (A420 Aluminum)	224-45147-01
13 Cold Water Inlet (Hydrojet) Assembly (PSDTA) (NC Code)	229-39628-20
18 High Altitude Orifice 2000 Ft. to 5000 Ft.	234-41034-33
18 High Altitude Orifice 5001 Ft. to 8000 Ft.	234-41034-35
18 High Altitude Orifice Over 8000 Ft.	234-41034-38
43 Kit-Inner Door Gasket	239-44078-00
44 ASSE Approved Mixing Valve	239-43740-01
45 Heat Trap Insert Kit	265-45419-00

* Applies to all warranties.

Parts Common To M1TW(40,50)S*FCX Models

Reference Number and Description	Part Number
1 Blower Complete	239-45584-00
2 Air Mixing Inlet	239-45868-00
3 Pressure Switch	239-45867-01
4 Blower Temperature Switch	239-45865-00
5 Blower Gasket	239-45866-00
6 Blower Power Cord	239-45990-00
7 2" Exhaust Adaptor w/Vent Terminal	239-46263-00
9 Heat Trap Outlet	239-45167-00
10 Hot Water Outlet Anode	224-32731-89
11 Flue Baffle	243-45372-00
12 Heat Trap Inlet	239-45073-00
13 Cold Water Inlet Dip Tube (Polypropylene)	229-39625-20
14 Safety Circuit Wire Harness	239-45617-01
15 T&P Valve	230-32920-01
30 Outer Door	243-43962-00
32 Screw #8-15 x 3/4	239-44195-00
34 Screw #10-12 x 3/4	239-44113-00
35 Brass Drain Valve	227-42351-01
36 Sensor Clip	239-45648-00
37 Flammable Vapor Sensor	239-45560-00
38 Sensor Harness	239-45620-00
39 Thermal Well	239-45651-01
40 Gas Control	222-45614-01
41 Gas Control Service Tool	239-45991-00
42 Kit-Gas Control w/Service Tool	265-45614-01

Parts Unique to M1TW40S*FCX

Reference Number and Description	Part Number
22 L.P. Gas Burner Assembly Complete	243-45655-01-50
23 Cast Iron Burner Head	228-37743-00
24 L.P. Gas Pilot Assembly with Electrode	233-45653-03
25 Pilot Orifice	234-45869-02
26 L.P. Gas Feed Line	233-45616-01
27 Air Shutter Jam Nut	239-18197-00
28 Air shutter	243-35466-00
29 Main Burner Orifice	234-35928-50
31 Right Side Inner Door	243-45642-18
33 Left Side Inner Door	243-43968-18

Parts Unique to M1TW50S*FCX

Reference Number and Description	Part Number
22 L.P. Gas Burner Assembly Complete	243-45655-02-50
23 Cast Iron Burner Head	228-37743-00
24 L.P. Gas Pilot Assembly with Electrode	233-45653-03
25 Pilot Orifice	234-45869-02
26 L.P. Gas Feed Line	233-45616-02
27 Air Shutter Jam Nut	239-18197-00
28 Air shutter	243-35466-00
29 Main Burner Orifice	234-35928-50
31 Right Side Inner Door	243-45642-20
33 Left Side Inner Door	243-43968-20

Optional Parts Reference Number and Description

1 High Altitude Blower Complete	243-45987-00
3 High Altitude Pressure Switch	239-45867-03
8 Condensate Hose Kit	239-45875-00
10 Hot Water Outlet Anode (Aluminum)	224-32999-22
10 Hot Water Outlet Anode (A420 Aluminum)	224-45147-01
13 Cold Water Inlet (Hydrojet) Assembly (PSDTA) (NC Code)	229-39628-20
29 High Altitude Orifice 2000 Ft. to 5000 Ft.	234-35928-51
29 High Altitude Orifice 5001 Ft. to 8000 Ft.	234-35928-52
29 High Altitude Orifice Over 8000 Ft.	234-35928-53
43 Kit-Inner Door Gasket	239-44078-00
44 ASSE Approved Mixing Valve	239-43740-01
45 Heat Trap Insert Kit	265-45419-00

* Applies to all warranties.

Parts Common To M1TW60T*FBN Models

Reference Number and Description	Part Number
1 Blower Complete	239-45584-00
2 Air Mixing Inlet	239-45868-00
3 Pressure Switch	239-45867-01
4 Blower Temperature Switch	239-45865-00
5 Blower Gasket	239-45866-00
6 Blower Power Cord	239-45990-00
7 2" Exhaust Adaptor w/Vent Terminal	239-46263-00
9 Heat Trap Outlet	239-45167-00
10 Hot Water Outlet Anode	224-32731-101
11 Flue Baffle	243-46233-00
12 Heat Trap Inlet	239-45073-00
13 Cold Water Inlet Dip Tube (Polypropylene)	229-39625-14
14 Safety Circuit Wire Harness	239-45617-02
15 T&P Valve	230-32920-01
16 Natural Gas Burner Assembly Complete	243-45652-02-31
17 Burner Head	228-42506-00
18 Main Burner Orifice	234-41034-32
19 Natural Gas Pilot Assembly with Electrode	233-45653-01
20 Pilot Orifice	234-45869-01
21 Natural Gas Feed Line	233-45615-02
30 Outer Door	243-43962-00
31 Right Side Inner Door	239-45642-20
32 Screw #8-15 x 3/4	239-44195-00
33 Left Side Inner Door	239-43968-20
34 Screw #10-12 x 3/4	239-44113-00
35 Brass Drain Valve	227-42351-01
36 Sensor Clip	239-45648-00
37 Flammable Vapor Sensor	239-45560-00
38 Sensor Harness	239-45620-00
39 Thermal Well	239-45651-01
40 Gas Control	222-45613-01
41 Gas Control Service Tool	239-45991-00
42 Kit-Gas Control w/Service Tool	265-45613-01

Optional Parts Reference Number and Description

1 High Altitude Blower Complete	243-45987-00
3 High Altitude Pressure Switch	239-45867-03
8 Condensate Hose Kit	239-45875-00
10 Hot Water Outlet Anode (Aluminum)	224-32999-21
10 Hot Water Outlet Anode (A420 Aluminum)	224-45147-01
13 Cold Water Inlet (Hydrojet) Assembly (PSDTA) (NC Code)	229-39628-14
18 High Altitude Orifice 2000 Ft. to 5000 Ft.	234-41034-33
18 High Altitude Orifice 5001 Ft. to 8000 Ft.	234-41034-35
18 High Altitude Orifice Over 8000 Ft.	234-41034-38
43 Kit-Inner Door Gasket	239-44078-00
44 ASSE Approved Mixing Valve	239-43740-01
45 Heat Trap Insert Kit	265-45419-00

* Applies to all warranties.

Parts Common To M1TW60T*FCX Models

Reference Number and Description	Part Number
1 Blower Complete	239-45584-00
2 Air Mixing Inlet	239-45868-00
3 Pressure Switch	239-45867-01
4 Blower Temperature Switch	239-45865-00
5 Blower Gasket	239-45866-00
6 Blower Power Cord	239-45990-00
7 2" Exhaust Adaptor w/Vent Terminal	239-46263-00
9 Heat Trap Outlet	239-45167-00
10 Hot Water Outlet Anode	224-32731-101
11 Flue Baffle	243-46233-00
12 Heat Trap Inlet	239-45073-00
13 Cold Water Inlet Dip Tube (Polypropylene)	229-39625-14
14 Safety Circuit Wire Harness	239-45617-02
15 T&P Valve	230-32920-01
22 L.P. Gas Burner Assembly Complete	243-45655-02-49
23 Cast Iron Burner Head	228-37743-00
24 L.P. Gas Pilot Assembly with Electrode	233-45653-03
25 Pilot Orifice	234-45869-02
26 L.P. Gas Feed Line	233-45616-02
27 Air Shutter Jam Nut	239-18197-00
28 Air shutter	243-35466-00
29 Main Burner Orifice	234-35928-49
30 Outer Door	243-43962-00
31 Right Side Inner Door	243-45642-20
32 Screw #8-15 x 3/4	239-44195-00
33 Left Side Inner Door	243-43968-20
34 Screw #10-12 x 3/4	239-44113-00
35 Brass Drain Valve	227-42351-01
36 Sensor Clip	239-45648-00
37 Flammable Vapor Sensor	239-45560-00
38 Sensor Harness	239-45620-00
39 Thermal Well	239-45651-01
40 Gas Control	222-45614-01
41 Gas Control Service Tool	239-45991-00
42 Kit-Gas Control w/Service Tool	265-45614-01

Optional Parts Reference Number and Description

1 High Altitude Blower Complete	243-45987-00
3 High Altitude Pressure Switch	239-45867-03
8 Condensate Hose Kit	239-45875-00
10 Hot Water Outlet Anode (Aluminum)	224-32999-21
10 Hot Water Outlet Anode (A420 Aluminum)	224-45147-01
13 Cold Water Inlet (Hydrojet) Assembly (PSDTA) (NC Code)	229-39628-14
29 High Altitude Orifice 2000 Ft. to 5000 Ft.	234-35928-51
29 High Altitude Orifice 5001 Ft. to 8000 Ft.	234-35928-52
29 High Altitude Orifice Over 8000 Ft.	234-35928-53
43 Kit-Inner Door Gasket	239-44078-00
44 ASSE Approved Mixing Valve	239-43740-01
45 Heat Trap Insert Kit	265-45419-00

* Applies to all warranties.



Ambler, PA

For U.S. and Canada field service,
contact your professional installer or
local Bradford White sales representative.

Sales/800-523-2931
Fax/215-641-1670

Technical Support/800-334-3393
Fax/269-795-1089

Warranty/800-531-2111
Fax/269-795-1089

International:
Telephone/215-641-9400
Telefax/215-641-9750

Fax on Demand:
888-538-7833



Mississauga, ON

Sales/Technical Support
866-690-0961
905-238-0100

Fax/905-238-0105

Email

parts@bradfordwhite.com
techserv@bradfordwhite.com

www.bradfordwhite.com
www.bradfordwhitecanada.com