



RESIDENTIAL ELECTRIC REPLACEMENT PARTS LIST

Energy Saver (M1,2) Wall Hung Models

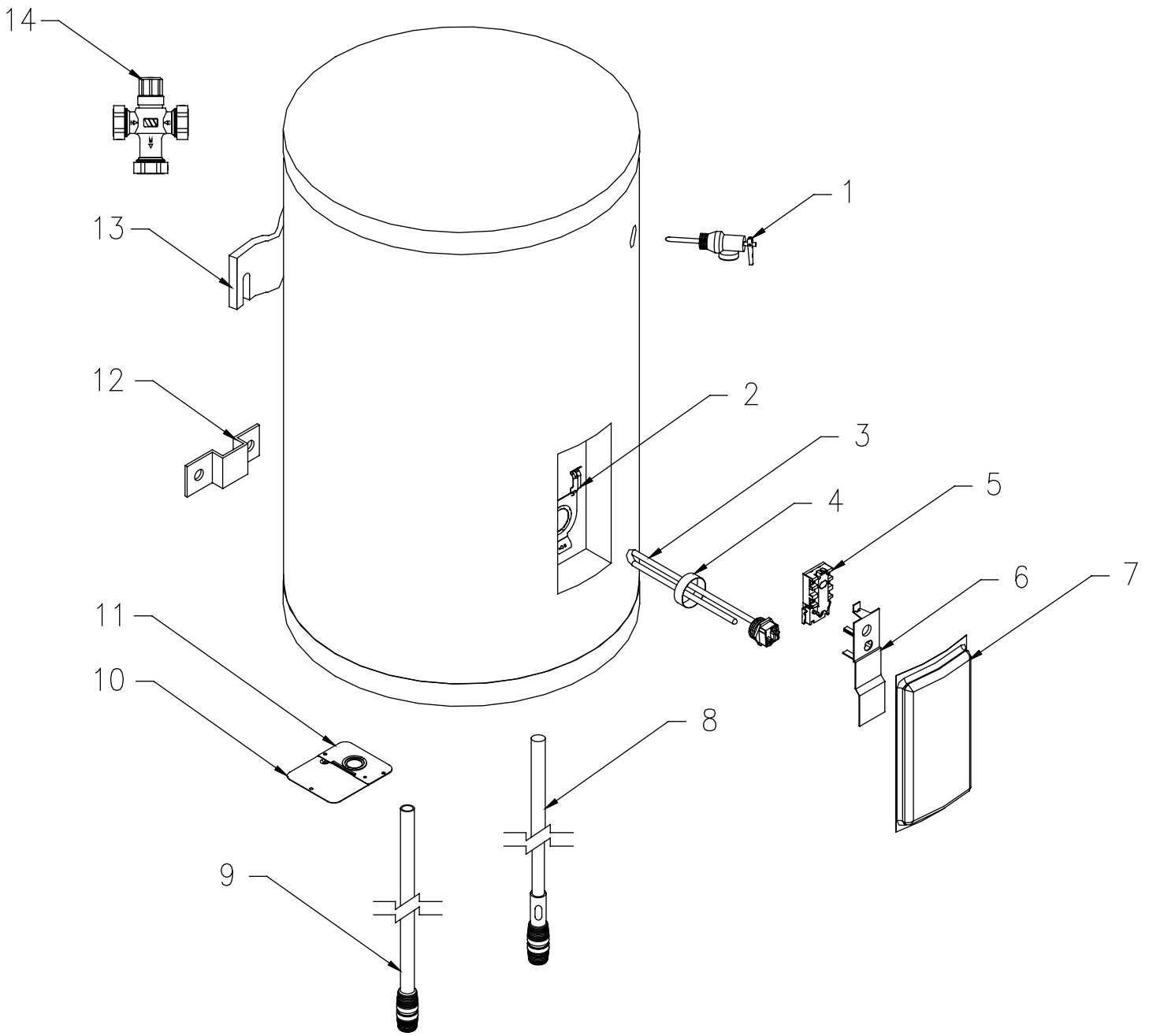


Dash Two (-2) Series

Effective: February 2, 2004
ECO 6831

**NOTE: BOTH MODEL AND SERIAL
NUMBERS ARE REQUIRED FOR
ORDERING REPLACEMENT
PARTS**

Dimensions and specification subject to
change without notice.



Reference Number & Description

1	T&P Relief Valve
2	Thermostat Bracket
3	Heating Element
4	Element Gasket
5	Thermostat
6	Thermostat Cover
7	Access Cover
8	Cold Water Inlet/Anode
9	Hot Water Outlet Tube
10	Electric Outlet Cover
11	Conduit Grounding Bracket
12	Bumper-Wall Mount
13	Bracket-Outer Wall
14	ASSE Approved Thermostatic Mixing Valve

Parts Common To M1WH(6U,12U)*SS-2 Models

Reference Number and Description	Part Number
1 T&P Relief Valve	265-32920-01
2 Thermostat Bracket	239-44479-00
3 Heating Element 1500W, 120V Copper **	265-42540-02
4 Element Gasket	223-34019-00
5 Thermostat	219-40360-00
6 Thermostat Cover	223-40399-00
7 Access Cover	243-36618-02
8 Cold Water Inlet Anode Without Heat Trap (Magnesium)	224-32731-78
9 Hot Water Outlet Tube Without Heat Trap (PPTA)	229-40064-02
10 Cover Electric Outlet	243-39452-00
11 Conduit Grounding Bracket	243-39451-00
12 Bumper-Wall Mount	243-40079-00
13 Wall Mounting Bracket-Outer	239-40066-00

Optional Parts Reference Number and Description

14 ASSE Approved Mixing Valve	239-43740-01
-------------------------------	--------------

Optional Non-Heat Trap Components

8 Cold Water Inlet/Anode Without heat Trap, Aluminum	224-32999-18
9 Hot Water Outlet Tube Without Heat trap (PSTA) (NC Code)	229-40438-02

Parts Common To M(1,2)WH(20L,30L)*SS-2 Models

Reference Number and Description	Part Number
2 Thermostat Bracket	239-44479-00
3 Heating Element 1500W, 120V Copper **	265-42540-02
4 Element Gasket	223-34019-00
5 Thermostat	219-40360-00
6 Thermostat Cover	223-40399-00
7 Access Cover	243-36618-02
8 Cold Water Inlet Anode Without Heat Trap (Magnesium)	224-32731-80
10 Cover Electric Outlet	243-39452-00
11 Conduit Grounding Bracket	243-39451-00
12 Bumper-Wall Mount	243-40079-00
13 Wall Mounting Bracket-Outer	239-40066-00

Parts Unique To M1WH20L*SS-2 Models

1 T&P Relief Valve	265-32920-01
9 Hot Water Outlet Tube Without Heat Trap (PPTA)	229-40064-03

Parts Unique To M2WH30L*SS-2 Models

1 T&P Relief Valve	230-40594-02
9 Hot Water Outlet Tube Without Heat Trap (PPTA)	229-40064-04

Optional Parts Reference Number and Description

14 ASSE Approved Mixing Valve	239-43740-01
-------------------------------	--------------

Optional Non-Heat Trap Components

8 Cold Water Inlet/Anode Without heat Trap, Aluminum	224-32999-23
9 Hot Water Outlet Tube Without Heat trap (PSTA) (NC Code) (M1WH20L)	229-40438-03
9 Hot Water Outlet Tube Without Heat trap (PSTA) (NC Code) (M2WH30L)	229-40438-04

* Applies to all warranties

** For incoloy elements or other wattages/voltages, consult Residential Heating Element Replacement Parts List.



Ambler, PA

For U.S. and Canada field service,
contact your professional installer or
local Bradford White sales representative.

Sales/800-523-2931

Fax/215-641-1670

Technical Support/800-334-3393

Fax/269-795-1089

Warranty/800-531-2111

Fax/269-795-1089

International:

Telephone/215-641-9400

Telefax/215-641-9750

Fax on Demand:

888-538-7833



Sales/866-690-0961

905-238-0100

Fax/905-238-0105

Technical Support/800-334-3393

Email

parts@bradfordwhite.com

techserv@bradfordwhite.com

www.bradfordwhite.com

www.bradfordwhitecanada.com